

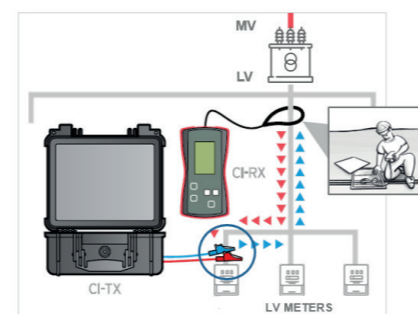
## MV & LV Live and De-energized cable identifier

### Ariadna CI

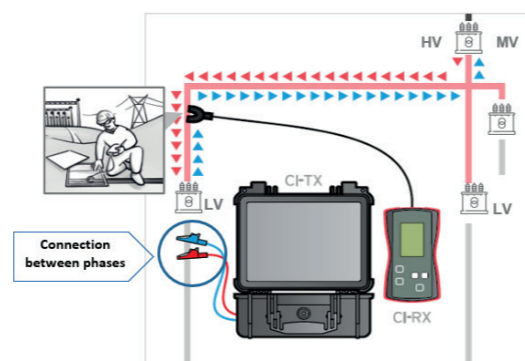
In electrical maintenance works, in order to cope with safety standards, it becomes necessary to identify de-energized and energized MV/ LV cables unambiguously prior to its manipulation. Cutting the wrong cable may result in personnel live threat or power supply failure.

The **Ariadna CI** cable identifier is an advanced, yet simple to operate, digital tool. With a single device, it allows users to easily identify de-energized cables and MV & LV live cables among multiple conductors, in trenches, manholes, panels, aerial/underground conversions, etc.

Standardized by world's leading Electric Utilities for electric safety procedures.



Energized LV cable identification



Energized MV cable identification

## De-energized cable identifier

### Ariadna CI-DE

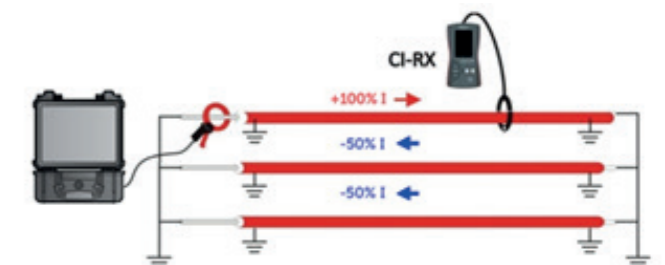
**Ariadna CI-DE** device allows to identify any de-energized cable in a RELIABLE, EASY and SAFE. In maintenance tasks, it helps users to easily identify de-energized electric cables.



- > De-energized cable identification
- > Single-phase and three-phase cables
- > Connection:
  - Direct connection (Galvanic)
  - Induced with induction clamp
- > Cable length > 50 km (direct connection)
- > Identification sound alert (CI-DE-Rx)
- > Operation time > 24h at level 2
- > It doesn't require calibration before using it

#### De-energized cable identification

Through polarized frequency signal injection and detection, it is possible to positively identify de-energized cables. Unlike live cable identification, the needed energy for generating identification signals comes from CI-DE Tx's rechargeable Li-ion battery, instead of coming from the grid. Two ways are available for injecting signals on cables, through direct connection or by using a toroidal inductive clamp. Afterwards cables are identified by measuring produced signal's amplitude and polarity.



- > Safely cable identification
- > De-energized cable identifier
- > Live MV cable identifier
- > Live LV cable identifier
- > Single-phase and three-phase cables
- > Signal injection by direct connection or induction clamp
- > Cable length > 50 km (direct connection)
- > Rechargeable battery in transmitter (CI-Tx), operation time > 24h
- > Detects amplitude and polarity of the active signal
- > Identification sound alert (CI-Rx)

## Ultraportable Live network cable identifier

# Ariadna IC2G

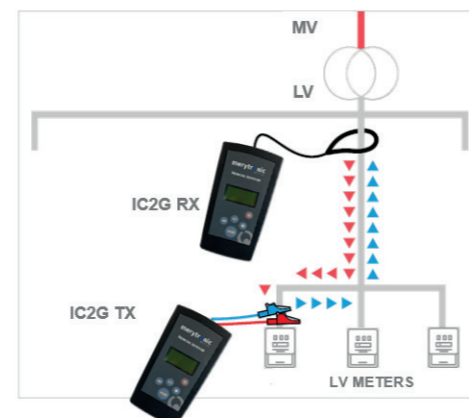
Merytronic has developed the **Ariadna IC2G**, an ultraportable Cable Identifier which is used in LV distribution cables for positive cable identification.

The Ariadna IC2G Cable Identifier consists of a transmitter (IC2G-Tx) and a receiver (IC2G-Rx). This device is easy to use: the transmitter (TX) is connected to an LV distribution cable and the receiver (Rx) is used to identify or locate that cable upstream, towards the MV/LV transformer.



### Main Features

- > Positive cable identification without de-energizing the network
- > Works on LV distribution cables up to 250 Vac (50 / 60 Hz. networks)
- > Sensor Ring: Identifies cables by placing a sensor ring around the cable
- > "U" sensor: Identifies conductors by touching the cable
- > Single-phase and three-phase cables
- > Positive identification is achieved in seconds
- > Easy to use due to automatic synchronization between transmitter and receiver
- > It doesn't require calibration before using it



Cable Identifiers  
Electrical Safety

Ariadna CI / CI-DE / IC2G

Contact us for more information:

**merytronic**  
gorlan



P.E. Boroa - 2C-1  
48340 Amorebieta - Vizcaya - SPAIN  
info@merytronic.com | www.merytronic.com  
+34 94 605 24 62

C-CI-E-12.2022

**merytronic**  
gorlan